

IEC**IECEE**

®

TM

Ref. Certif. No.

CN67117

IEC SYSTEM FOR MUTUAL RECOGNITION OF TEST CERTIFICATES FOR ELECTRICAL EQUIPMENT (IECEE) CB SCHEME**CB TEST CERTIFICATE**

Product

Switch-disconnector

Name and address of the applicant

Shanghai Sieyuan Low Voltage Switchgear Co.,Ltd.
Room 304,Building Not.1,3399Huaning Road,Minhang
District,Shanghai, P.R.China

Name and address of the manufacturer

Shanghai Sieyuan Low Voltage Switchgear Co.,Ltd.
Room 304,Building Not.1,3399Huaning Road,Minhang
District,Shanghai, P.R.China

Name and address of the factory

Note: When more than one factory, please report on page 2

Shanghai Sieyuan Low Voltage Switchgear Co.,Ltd.
Building 25,No.3333 Huaning Road,Xinzhuang Industrial
Zone,Minhang District,Shanghai,P.R.China

Ratings and principal characteristics

See the Appendix

Trademark (if any)

Sieyuan

Customer's Testing Facility (CTF) Stage used

N/A

Model / Type Ref.

SYM6GZ-320;

Additional information (if necessary may also be reported on page 2)

A sample of the product was tested and found to be in conformity with

IEC 60947-1:2020;IEC 60947-3:2020

As shown in the Test Report Ref. No. which forms part of this Certificate

00901-CB2024CQC-115855

CHINA QUALITY CERTIFICATION CENTRE CO., LTD.

Section 9, No. 188 Nansihuan Xilu, Beijing 100070 P. R. China

Tel: +86-10-83886666 Fax: +86-10-83886282

website: <http://www.cqc.com.cn>

Date: Sep.18,2024

Signature:

谢肇煦

Xie ZhaoXu



SYM6GZ-320

Ui:1500V;Uimp:12kV;lth:320A;

Ue: DC250V,DC500V,DC750V,DC1000V,DC1500V;

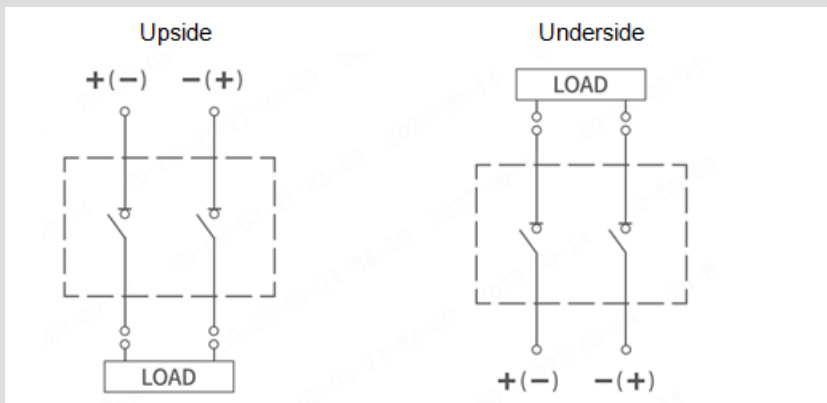
Ie: 100A,125A,140A,160A,180A,200A,225A,250A,320A;

Utilization category: DC-PV2;

Icw:4kA/1s;Iq:15kA;

IP20(only for working face);

DC diagram:



Auxiliary contacts:

1NO1NC,2NO2NC;Ui:400V;Uimp:4kV;lth:3A;

AC-15:Ue/Ie:AC400V/1.5A;DC-13:Ue/Ie:DC220V/0.15A.

Additional information (if necessary)

Date:

Sep.18,2024

Signature:

谢肇煦

Xie ZhaoXu